

Connector PowerTOP Xtra

Part Number: 14520



MENNEKES

Elektrotechnik GmbH & Co. KG
Aloys-Mennekes-Straße 1
57399 KIRCHHUNDEM GERMANY
www.MENNEKES.org

Product Description

- screw connection technology ErgoCONTACT®
- X-CONTACT®
- ergonomic enclosure design with nubbed grip zones
- rubberised cable gland with sealing
- strain relief and protection against kinking
- thread lock and safety slide
- area for self-adhesive labels
- the PowerTOP® Xtra connector replaces the ProTOP connector 16A

Technical Details

Connector - PowerTOP Xtra	14520
Product series	PowerTOP Xtra
Ampere	32 A
UL-Ampere	-
Number of Poles	5 P
Clock position	6 h
Voltage	400 V
Hertz	50-60 Hz
Current Type	AC
Protection Type	IP54
Contact carrier	X-CONTACT®
Pilot contact	Without pilot contact
Connection	Screw terminals - ErgoCONTACT®
Screw drive contact screw	Combination head screw (PZ2 and slotted)
Conductor cross-section min.	2.5 mm ²

Conductor cross-section max.	6 mm ²
Cable kink protection	Integrated in cable gland
Protective grommet	Without protective grommet
Weight (net)	418 g
EAN / Identification number	4015394289364

Permissible ambient conditions

Permanent ambient temperature min. - max.	-25 °C - +40 °C
---	-----------------

Material properties

Hinged lid	PC similar RAL 3013 red
Cover	PA6 similar RAL 3013 red
Front part	PA6 similar RAL 3013 red

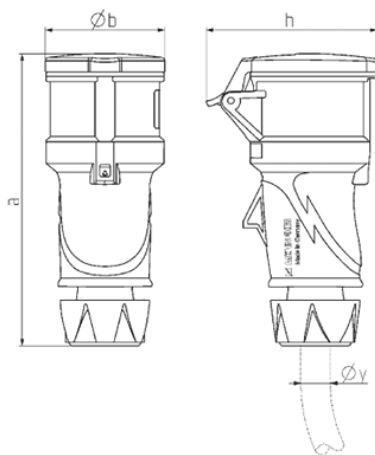
Material resistance

The material resistance overview can be found on the website in the section "Knowledge" → "Product knowledge" → "Materials"

Regulations and Standards

REACH (Regulation (EG) No. 1907/2006)	Information according to article 33 REACH: SVHC: Lead (CAS: 7439-92-1)
RoHS 2011/65/EU incl. 2015/863/EU	✓
POP Regulation (EU) 2019/1021	✓
Norm(s)	IEC 60309-2
Declaration of conformity	CE, UKCA
Test mark	VDE, EAC, CQC

Dimensional drawing



Drawing	Amp.	16			32		
		3	4	5	3	4	5
3 MB 79	Poles						
Dim. in mm	a	165	177	174	211	211	209
	b	55	68	69	78	78	80
	h	72	93	98	100	100	108
y min. from		7	8	8	10.5	10.5	13.5
to max. mm		-13	-15.5	-15.5	-18	-18	-20
Terminal for cond. cross		1	1	1	2.5	2.5	2.5
section (mm²) min.-max.		-2.5	-2.5	-2.5	-6	-6	-6